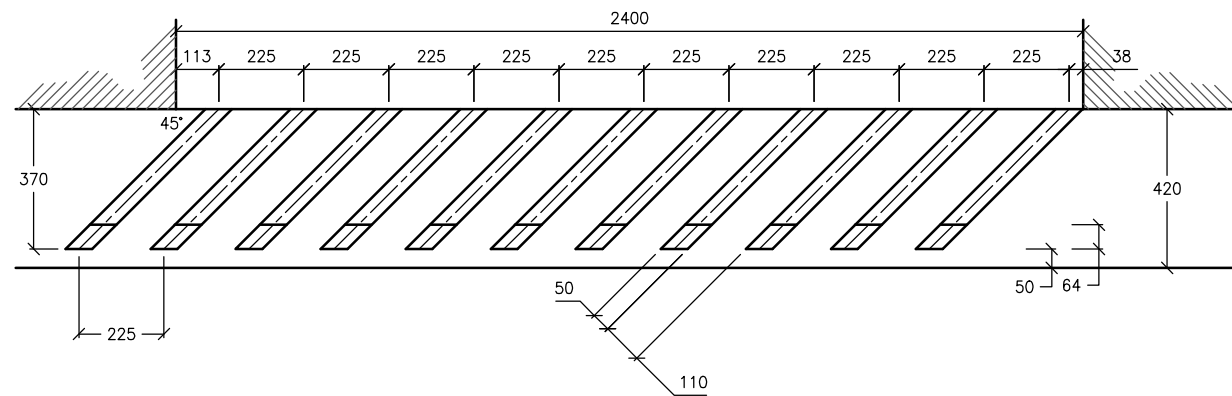
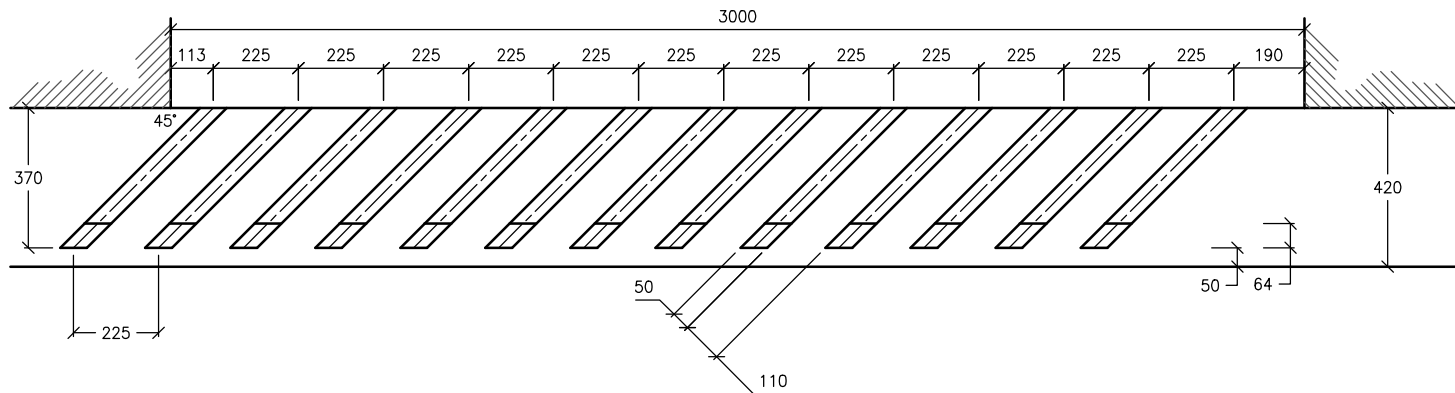


PLAN 1: 1800 INLET (8 DEFLECTORS)
SCALE 1:10

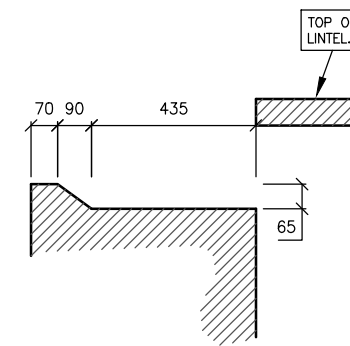


PLAN 2: 2400 INLET (11 DEFLECTORS)
SCALE 1:10

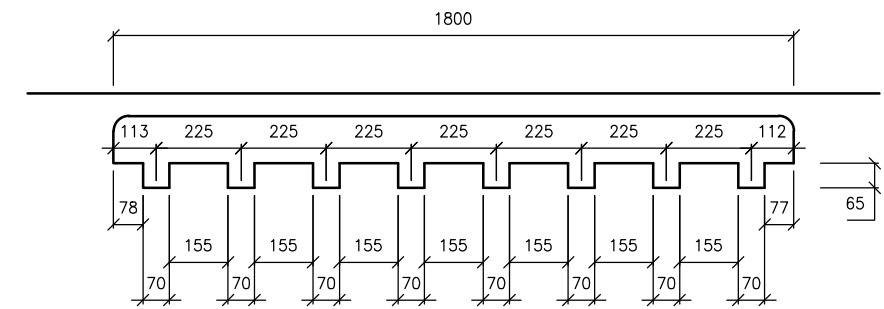


PLAN 3: 3000 INLET (13 DEFLECTORS)
SCALE 1:10

NOTE: DETAIL ONLY TO BE USED FOR MAINTENANCE ON KERB INLET PITS CONSTRUCTED PRIOR TO 21 SEPTEMBER 2023. SEE EN7886 FOR FULL KERB INLET PIT CONSTRUCTION DETAILS.



SECTION A-A
SCALE 1:10



SECTION B-B
SCALE 1:10

CONSULTANT	APPROVED
CHECKED	

REV	DESCRIPTION	INITIALS	DATE
A	ISSUED FOR APPROVAL	JD/LW	31-07-98
B	DRAFTING UPDATES	MC	21-09-23
---	---	---	---

SCALES (A1)	
1:10	0 0.1 0.2 0.3 0.4 0.5 Metres
1:20	0 0.2 0.4 0.6 0.8 1.0
1:50	0 0.5 1.0 1.5 2.0 2.5
1:100	0 1 2 3 4 5
1:200	0 2 4 6 8 10 Metres
1:500	0 5 10 15 20 25
1:750	0 7.5 15 22.5 30 37.5
1:1000	0 10 20 30 40 50

SURVEYED	---
CHECKED	
DRAWN	MC
DESIGN	---
DATE	21-09-23
DATUM	AHD

BATHURST REGIONAL COUNCIL

PROJECT	BRC STANDARD KERB INLET PIT DEFLECTOR DESIGN		
DESCRIPTION	PLANS & CROSS SECTIONS		
DWG No.	SHEET No.	REV.	
EN7893	01	B	